

VIZCAYA, PLAT No. 1

A Replat of a Portion of Tract "C" of the Plat of UPJOHN P.U.D. PLAT ONE as recorded in Plat Book 86 at Pages 1 thru 3 of the Public Records of Palm Beach County, Florida, lying in Section 21, Township 46 South, Range 42 East Palm Beach County, Florida

This Instrument Prepared by: Thomas R. Patbicke of HAGER WEINBERG AND ASSOCIATES, INC. Professional Land Surveyors Certificate of Authorization No. 6772 3850 N.W. Boca Raton Blvd. Boca Raton, Florida 33431 Phone: (561) 395-3600 Fax: (561) 395-2237 E-Mail: thw@hwa.com

- PLAT LEGEND:**
- PR.M. (M) Denotes Set Permanent Reference Monument (P.R.M.) P.L.S. No. 5061, Unless otherwise shown
 - P.C.P. (C) Denotes Permanent Control Point
 - C1 Denotes Centerline
 - A Denotes Arc length
 - R Denotes Radius
 - D Denotes Delta (central angle)
 - C1 Denotes Curve (refer to Curve Table)
 - P.O.B. Denotes Point of Beginning
 - P.O.C. Denotes Point of Commencement
 - O.R.B. Denotes Official Records Book
 - P.B. Denotes Plat Book
 - N.R. Denotes Non-Radial
 - L.A.E. Denotes Limited Access Easement
 - L.M.E. Denotes Lake Maintenance Easement
 - L.B.E. Denotes Landscape Buffer Easement
 - D.E. Denotes Drainage Easement
 - R.W. Denotes Right-of-Way
 - SEC. Denotes Section
 - SF Denotes Square Feet
 - U.E. Denotes Utility Easement
 - O.E. Denotes Overhang Easement
 - L.M.A.E. Denotes Lake Maintenance Access Easement

State of Florida
County of Palm Beach ss

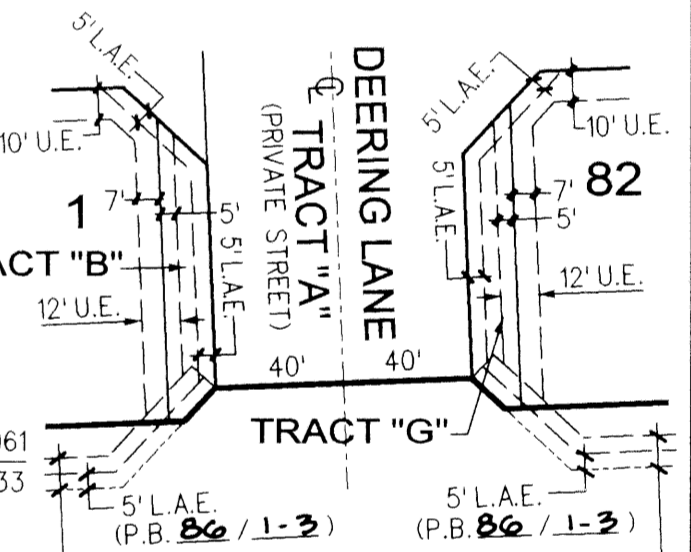
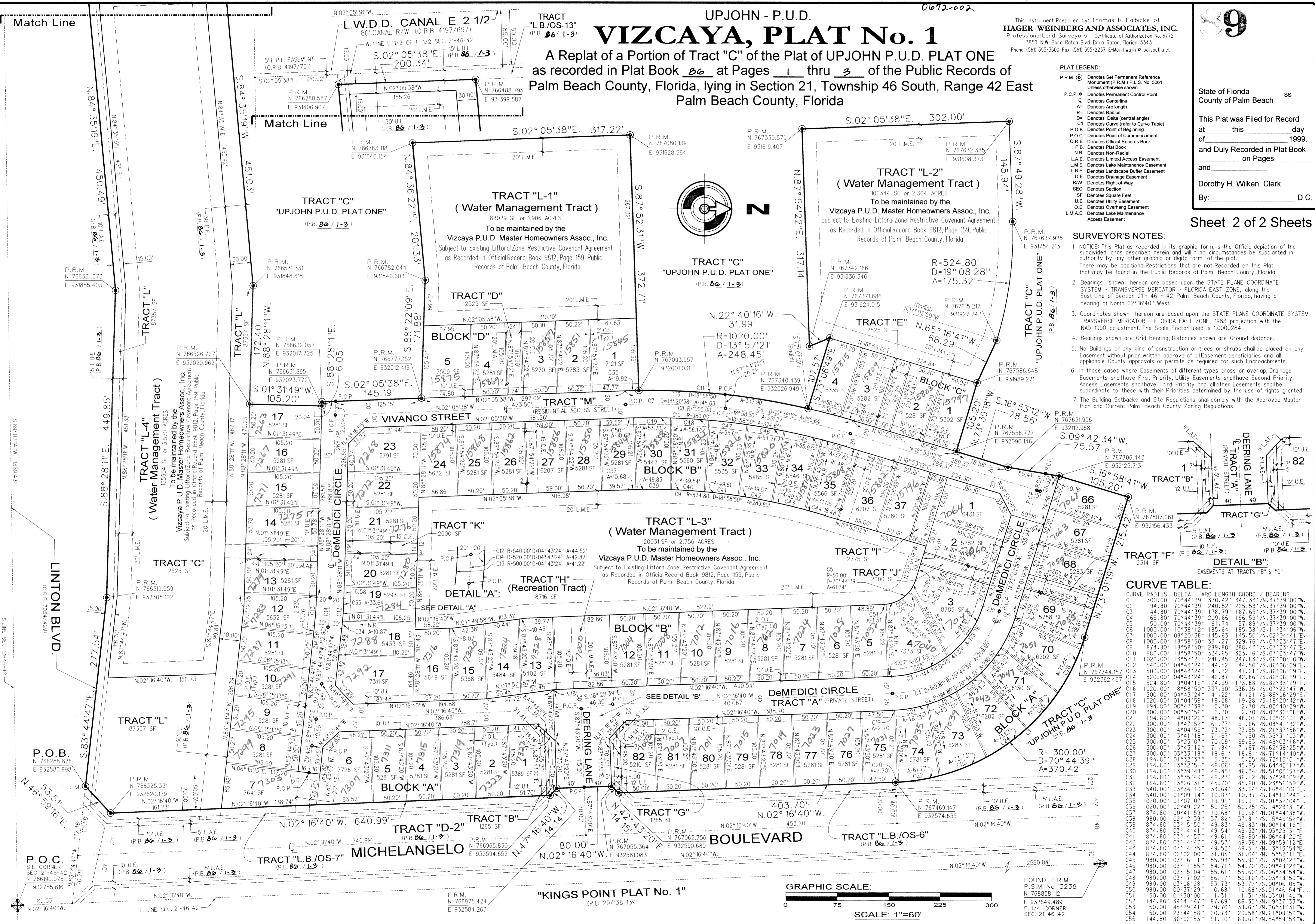
This Plat was Filed for Record at this day of 1999, and Duly Recorded in Plat Book on Pages and

Dorothy H. Wilken, Clerk
By: D.C.

Sheet 2 of 2 Sheets

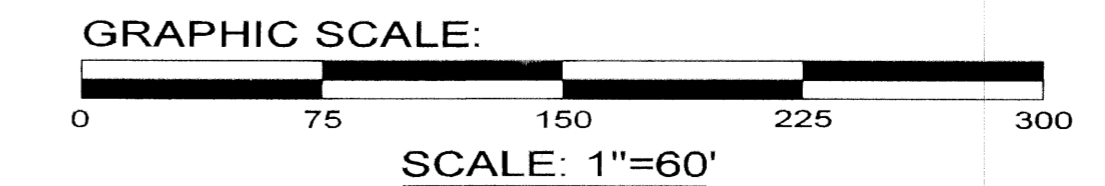
SURVEYOR'S NOTES:

- NOTICE: This Plat as recorded in its graphic form, is the official depiction of the subdivided lands described herein and will in no circumstances be supplanted in authority by any other graphic or digital form of the plat. There may be additional restrictions that are not recorded on this Plat that may be found in the Public Records of Palm Beach County, Florida.
- Bearings shown hereon are based upon the STATE PLANE COORDINATE SYSTEM - TRANSVERSE MERCATOR - FLORIDA EAST ZONE, along the East Line of Section 21 - 46 - 42, Palm Beach County, Florida, having a bearing of North 02°16'40" West.
- Coordinates shown hereon are based upon the STATE PLANE COORDINATE SYSTEM TRANSVERSE MERCATOR - FLORIDA EAST ZONE, 1983 projection, with the NAD 1990 adjustment. The Scale Factor used is 1.000284.
- Bearings shown are Grid Bearing, Distances shown are Ground distance.
- No Buildings or any kind of construction or trees or shrubs shall be placed on any Easement without prior written approval of all Easement beneficiaries and all applicable County approvals or permits as required for such encroachments.
- In those cases where Easements of different types cross or overlap, Drainage Easements shall have First Priority, Utility Easements shall have Second Priority, Access Easements shall have Third Priority and all other Easements shall be subordinate to these with their Priorities determined by the use of rights granted.
- The Building Setbacks and Site Regulations shall comply with the Approved Master Plan and Current Palm Beach County Zoning Regulations.



CURVE TABLE:

| CURVE | RADIUS | DELTA | ARC LENGTH | CHORD | BEARING |
|-------|---------|-----------|------------|--------|------------------|
| C1 | 300.00 | 70°44'39" | 370.42 | 341.33 | N.37°39'00"W. |
| C2 | 194.80 | 70°44'39" | 240.52 | 225.53 | N.37°39'00"W. |
| C3 | 144.80 | 70°44'39" | 178.79 | 167.65 | N.37°39'00"W. |
| C4 | 169.80 | 70°44'39" | 209.66 | 196.59 | N.37°39'00"W. |
| C5 | 874.80 | 70°44'39" | 443.29 | 421.87 | N.37°39'00"W. |
| C6 | 1000.00 | 10°38'12" | 185.64 | 185.38 | N.51°34'06"W. |
| C7 | 1000.00 | 80°20'38" | 145.63 | 145.50 | N.02°04'41"E. |
| C8 | 1000.00 | 18°58'50" | 331.27 | 329.76 | N.07°23'47"E. |
| C9 | 874.80 | 18°58'50" | 289.80 | 288.47 | N.07°23'47"E. |
| C10 | 880.00 | 18°58'50" | 324.65 | 323.16 | N.07°23'47"E. |
| C11 | 1020.00 | 13°57'21" | 248.45 | 248.83 | S.06°00'10"W. |
| C12 | 540.00 | 04°43'24" | 44.52 | 44.50 | S.86°06'29"E. |
| C13 | 500.00 | 04°43'24" | 41.22 | 41.21 | S.86°06'29"E. |
| C14 | 520.00 | 04°43'24" | 42.87 | 42.86 | S.86°06'29"E. |
| C15 | 524.80 | 19°04'19" | 174.69 | 173.88 | S.82°33'29"E. |
| C16 | 502.00 | 18°58'50" | 337.90 | 336.35 | S.07°23'47"E. |
| C17 | 500.00 | 04°43'24" | 41.22 | 41.21 | S.86°06'29"E. |
| C18 | 1020.00 | 01°04'59" | 19.28 | 19.28 | S.16°20'42"W. |
| C19 | 194.80 | 00°47'38" | 2.70 | 2.70 | N.02°40'29"W. |
| C20 | 300.00 | 00°30'56" | 2.70 | 2.70 | N.02°32'08"W. |
| C21 | 194.80 | 00°30'56" | 48.13 | 48.01 | N.02°09'01"W. |
| C22 | 300.00 | 11°47'52" | 61.77 | 61.66 | N.08°41'32"W. |
| C23 | 300.00 | 14°04'56" | 75.73 | 75.55 | N.01°37'56"W. |
| C24 | 300.00 | 13°41'18" | 71.67 | 71.50 | N.35°31'03"W. |
| C25 | 300.00 | 13°23'07" | 70.09 | 69.93 | N.49°03'16"W. |
| C26 | 300.00 | 13°23'07" | 71.84 | 71.67 | N.62°06'25"W. |
| C27 | 300.00 | 03°38'18" | 18.15 | 18.14 | N.71°14'40"W. |
| C28 | 194.80 | 01°32'37" | 5.25 | 5.25 | N.72°15'01"E. |
| C29 | 194.80 | 13°32'37" | 46.06 | 45.95 | N.64°42'17"W. |
| C30 | 194.80 | 13°39'48" | 46.45 | 46.34 | N.51°05'57"W. |
| C31 | 1020.00 | 03°14'11" | 39.70 | 39.64 | N.31°28'59"E. |
| C32 | 194.80 | 13°26'31" | 45.70 | 45.60 | N.23°56'59"W. |
| C33 | 540.00 | 03°34'10" | 33.64 | 33.64 | S.86°41'06"E. |
| C34 | 540.00 | 01°09'14" | 10.87 | 10.87 | S.84°19'24"E. |
| C35 | 1020.00 | 01°09'14" | 31.91 | 31.91 | S.01°52'04"E. |
| C36 | 1020.00 | 02°49'00" | 50.25 | 50.25 | S.72°50'06'05"W. |
| C37 | 874.80 | 00°41'59" | 10.68 | 10.68 | N.01°44'38"W. |
| C38 | 980.00 | 02°12'39" | 37.82 | 37.81 | S.15°46'52"W. |
| C39 | 874.80 | 00°35'50" | 49.83 | 49.83 | N.19°37'33"W. |
| C40 | 874.80 | 03°14'41" | 49.54 | 49.53 | N.03°29'51"E. |
| C41 | 874.80 | 03°14'57" | 49.61 | 49.60 | N.06°44'20"E. |
| C42 | 874.80 | 03°14'47" | 49.57 | 49.56 | N.09°59'12"E. |
| C43 | 874.80 | 03°14'35" | 49.52 | 49.51 | N.13°13'54"E. |
| C44 | 874.80 | 02°42'00" | 31.05 | 31.04 | N.15°22'11"E. |
| C45 | 980.00 | 03°08'28" | 53.73 | 53.72 | S.00°06'05"W. |
| C46 | 980.00 | 00°37'29" | 10.68 | 10.68 | N.01°46'54"E. |
| C47 | 980.00 | 03°15'04" | 55.61 | 55.60 | S.06°34'54"W. |
| C48 | 980.00 | 03°17'02" | 56.17 | 56.16 | S.03°18'50"W. |
| C49 | 980.00 | 03°08'28" | 53.73 | 53.72 | N.26°31'31"W. |
| C50 | 980.00 | 00°37'29" | 10.68 | 10.68 | N.01°46'54"E. |
| C51 | 50.00 | 01°30'00" | 1.31 | 1.31 | N.03°01'40"W. |
| C52 | 144.80 | 34°41'47" | 87.69 | 86.35 | N.19°37'33"W. |
| C53 | 144.80 | 34°41'47" | 39.70 | 38.67 | N.45°29'41"W. |
| C54 | 50.00 | 23°44'58" | 20.73 | 20.58 | N.61°08'50"W. |
| C55 | 144.80 | 36°02'53" | 91.10 | 89.61 | N.15°59'53"W. |



FOUND P.R.M. P.S.M. No. 3238 N 76858.112
E 932649.489
E 1/4 CORNER E 932590.686
SEC. 21-46-42

Vizcaya, Plat #1
PAGE 89
FLOOD MAP # 215A
ZONING MAP # 52
DATE 05
SCALE 1"=60
JOB NAME UPJOHN

P.O.B. N 766288.826 E 932580.998
P.O.C. S.E. CORNER SEC. 21-46-42 N 766190.076 E 932755.616